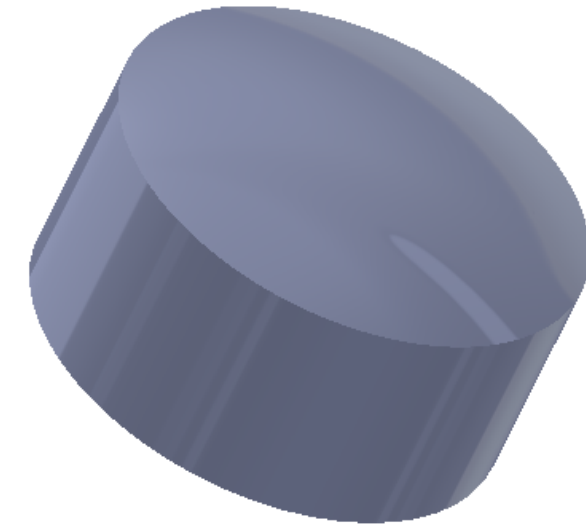
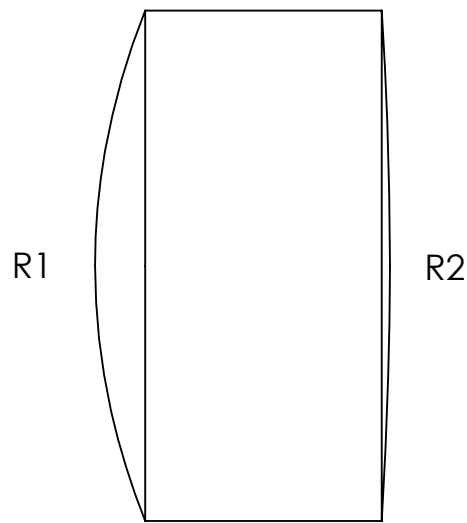
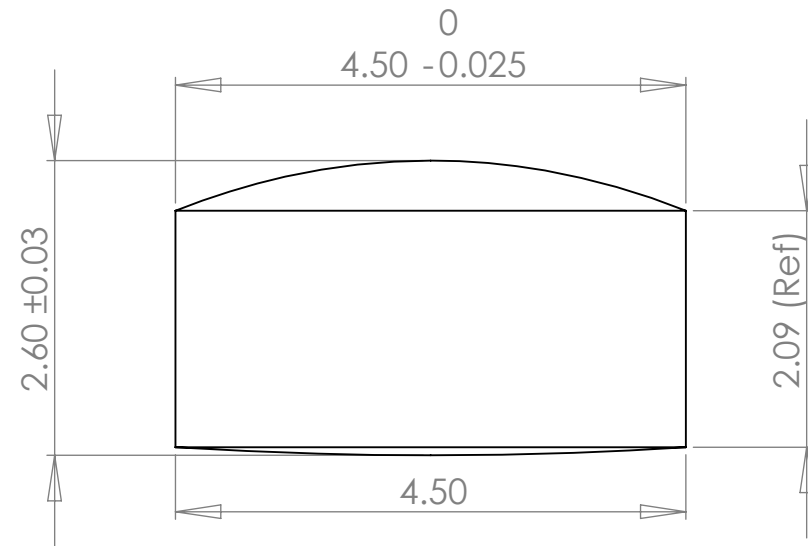


	Base Radius (mm)	CX	CC	Irregularity (fringes)	Clear Aperture (mm)	Surface Quality (typical)	Centration (arcmin)
R1	5.920	X		1.0	4.0	40/20	3
R2	31.26	X		1.0	4.0	40/20	

REVISIONS				
ZONE	REV.	DESCRIPTION	DATE	
	A	Initial release		
	B	Revised Data Table	3/31/2010	



Notes:

- 1) Material: BSL7M (nd=1.51323, Vd=63.68)
- 2) Edge Chamfer: 0.1-0.3mm
- 3) AR Coating: <0.5% Reflectivity from 400-650nm ("A" coat) or 620-1080nm ("B" coat), per surface.
- 4) All dimensions in mm unless noted

3402 Enterprise Dr.  
Rowlett, TX 75088  
Ph: (972) 463-8001  
Web: www.archeroptx.com

**Archer Optx**  
Optical Precision. Optimal Outcome.

**PROPRIETARY AND CONFIDENTIAL**  
THE INFORMATION CONTAINED IN THIS DRAWING IS THE SOLE PROPERTY OF ARCHER OPTX, INC. ANY REPRODUCTION IN PART OR AS A WHOLE WITHOUT THE WRITTEN PERMISSION OF ARCHER OPTX, INC IS PROHIBITED.

UNLESS OTHERWISE SPECIFIED:		NAME	DATE	P4510
DIMENSIONS ARE IN MM				
TOLERANCES:				
FRACTIONAL ±				
ANGULAR: MACH ± BEND ±		ENG APPR.		
TWO PLACE DECIMAL ±0.25		MFG APPR.		
THREE PLACE DECIMAL ±		Q.A.		
INTERPRET GEOMETRIC TOLERANCING PER:		COMMENTS:		
NEXT ASSY				SIZE DWG. NO. REV
				<b>B</b> <b>B</b>
APPLICATION	DO NOT SCALE DRAWING			SCALE: 20:1 SHEET 1 OF 1