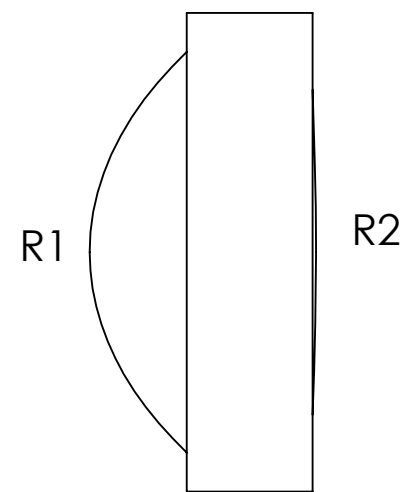
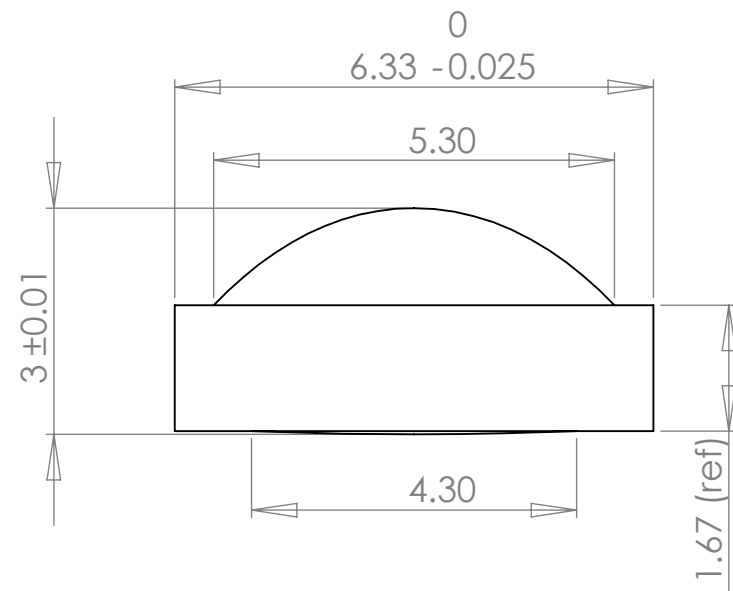


	Base Radius (mm)	CX	CC	Irregularity (fringes)	Clear Aperture (mm)	Surface Quality (typical)	Centration (arcmin)
R1	2.97281	X		0.5	4.8	40/20	3
R2	42.23052	X		0.5	4.0	40/20	

REVISIONS				
ZONE	REV.	DESCRIPTION	DATE	APPROVED



Notes:

- 1) Material: S-LAL13M (nd=1.689, Vd=52.76)
- 2) AR Coating: <0.5% reflectivity from 380-580nm, per surface
- 3) Edge Chamfer: 0.1-0.3 mm
- 4) All dimensions in mm unless noted.

3402 Enterprise Dr.
Rowlett, TX 75088
Ph: (972) 463-8001
Web: www.archeroptx.com

Archer Optx
Optical Precision. Optimal Outcome.

PROPRIETARY AND CONFIDENTIAL
THE INFORMATION CONTAINED IN THIS DRAWING IS THE SOLE PROPERTY OF ARCHER OPTX, INC. ANY REPRODUCTION IN PART OR AS A WHOLE WITHOUT THE WRITTEN PERMISSION OF ARCHER OPTX, INC IS PROHIBITED.

UNLESS OTHERWISE SPECIFIED:	NAME	DATE	TITLE: L671-ZX
DIMENSIONS ARE IN MM	DRAWN		
TOLERANCES:	CHECKED		
FRACTIONAL ±	ENG APPR.		
ANGULAR: MACH ± BEND ±	MFG APPR.		
TWO PLACE DECIMAL ±	Q.A.		SIZE DWG. NO. REV B H
THREE PLACE DECIMAL ±	COMMENTS:		
INTERPRET GEOMETRIC TOLERANCING PER:			SCALE: 10:1 WEIGHT: SHEET 1 OF 1
MATERIAL			
FINISH			
NEXT ASSY	USED ON		
APPLICATION	DO NOT SCALE DRAWING		