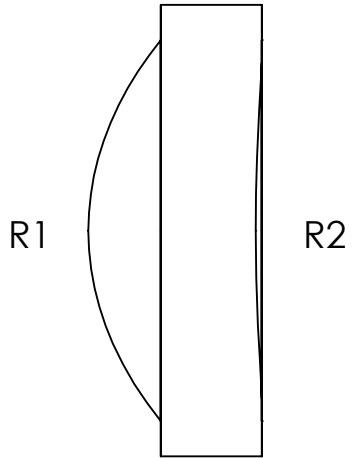
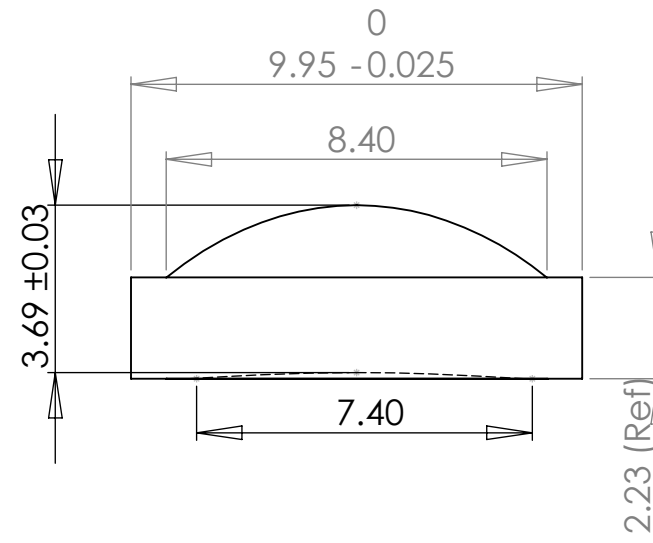
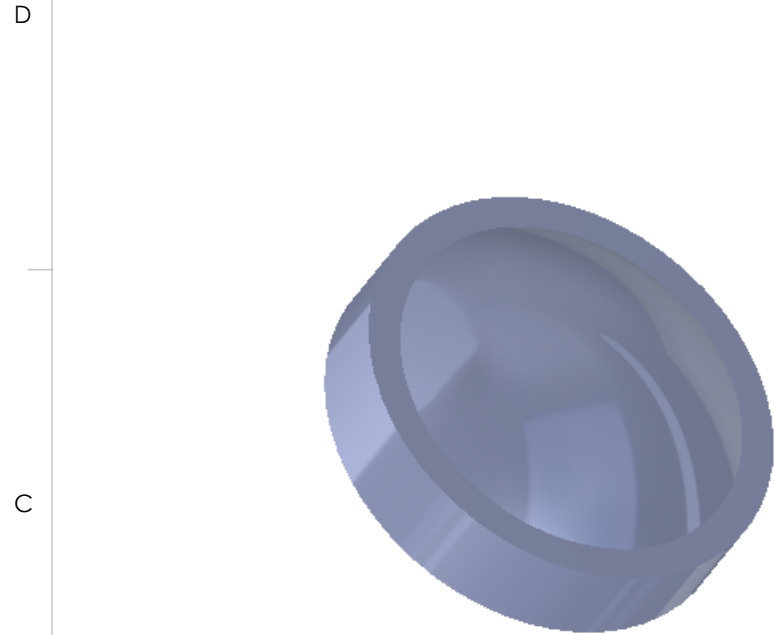


	Base Radius (mm)	CX	CC	Irregularity (fringes)	Clear Aperture (mm)	Surface Quality (typical)	Centration (arcmin)
R1	5.900	X		1.0	8.0	40/20	1
R2	45.23		X	1.0	7.0	40/20	

REVISIONS				
ZONE	REV.	DESCRIPTION	DATE	APPROVED



Notes:

- 1) Material: S-LAH60M (nd=1,82894, Vd=36.99)
- 2) Edge Chamfer: 0.1-0.3mm
- 3) AR Coating: <0.5% Reflectivity from 400-650nm ("A" coat) or 620-1080nm ("B" coat), per surface.
- 4) All dimensions in mm unless noted.

3402 Enterprise Dr.
Rowlett, TX 75088
Ph: (972) 463-8001
Web: www.archeroptx.com



PROPRIETARY AND CONFIDENTIAL
THE INFORMATION CONTAINED IN THIS DRAWING IS THE SOLE PROPERTY OF ARCHER OPTX, INC. ANY REPRODUCTION IN PART OR AS A WHOLE WITHOUT THE WRITTEN PERMISSION OF ARCHER OPTX, INC IS PROHIBITED.

UNLESS OTHERWISE SPECIFIED:		NAME	DATE	TITLE: L240
DIMENSIONS ARE IN MM		DRAWN		
TOLERANCES:		CHECKED		
FRACTIONAL ±		ENG APPR.		
ANGULAR: MACH ± BEND ±		MFG APPR.		
TWO PLACE DECIMAL ±		Q.A.		SIZE DWG. NO. REV
THREE PLACE DECIMAL ±		COMMENTS:		B C
INTERPRET GEOMETRIC TOLERANCING PER:				SCALE: 10:1 WEIGHT: SHEET 1 OF 1
MATERIAL				
FINISH				
NEXT ASSY	USED ON			
APPLICATION		DO NOT SCALE DRAWING		