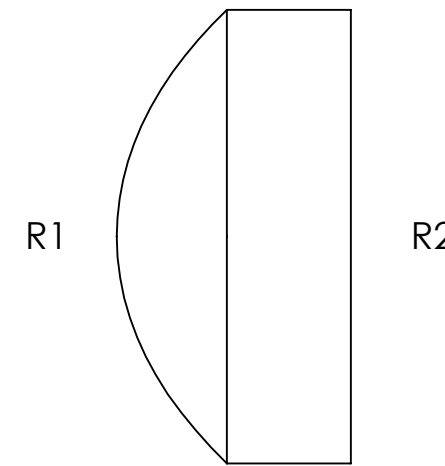
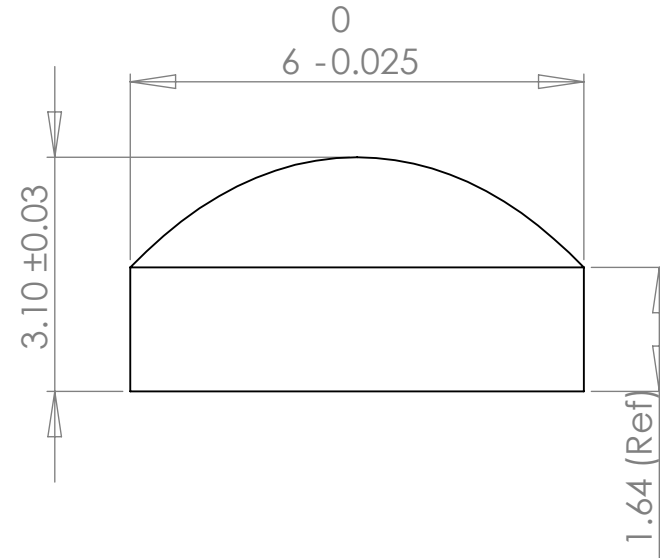
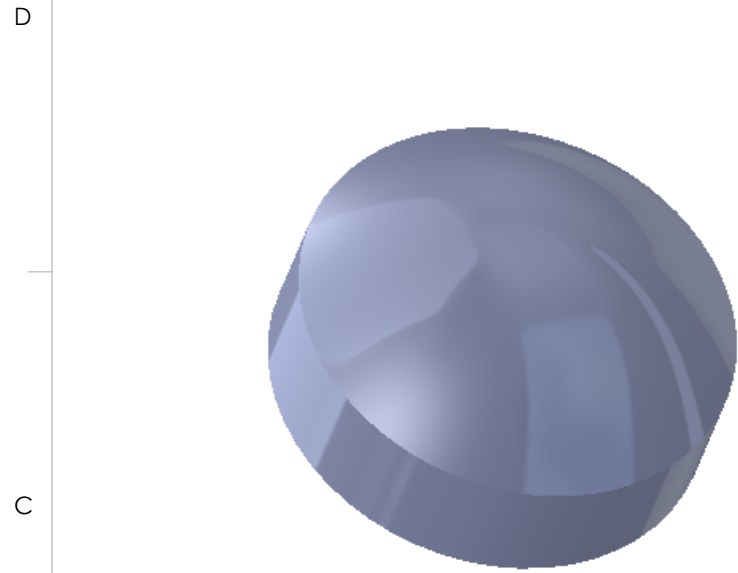


	Base Radius (mm)	CX	CC	Irregularity (fringes)	Clear Aperture (mm)	Surface Quality (typical)	Centration (arcmin)
R1	3.375	X		1.0	5.0	40/20	3
R2	228.2	X		1.0	4.5	40/20	

REVISIONS				
ZONE	REV.	DESCRIPTION	DATE	APPROVED



Notes:

- 1) Material: S-LAM60M (nd=1.7379, Vd=49.01)
- 2) Edge Chamfer: 0.1-0.3mm
- 3) AR Coating: <0.5% reflectivity from 400-650nm ("A"coat) or 620-1080nm ("B" coat), per surface.
- 4) All dimensions in mm unless noted

3402 Enterprise Dr.  
Rowlett, TX 75088  
Ph: (972) 463-8001  
Web: www.archeroptx.com

**Archer Optx**  
Optical Precision. Optimal Outcome.

**PROPRIETARY AND CONFIDENTIAL**  
THE INFORMATION CONTAINED IN THIS DRAWING IS THE SOLE PROPERTY OF ARCHER OPTX, INC. ANY REPRODUCTION IN PART OR AS A WHOLE WITHOUT THE WRITTEN PERMISSION OF ARCHER OPTX, INC IS PROHIBITED.

UNLESS OTHERWISE SPECIFIED:	NAME	DATE	TITLE: <b>K390</b>
DIMENSIONS ARE IN MM TOLERANCES: FRACTIONAL ± ANGULAR: MACH ± BEND ± TWO PLACE DECIMAL ± THREE PLACE DECIMAL ±	DRAWN		
INTERPRET GEOMETRIC TOLERANCING PER:	CHECKED		
MATERIAL	ENG APPR.		
FINISH	MFG APPR.		
NEXT ASSY	USED ON	COMMENTS:	SIZE <b>B</b> DWG. NO. REV <b>C</b>
APPLICATION	DO NOT SCALE DRAWING		SCALE: 10:1 WEIGHT: SHEET 1 OF 1